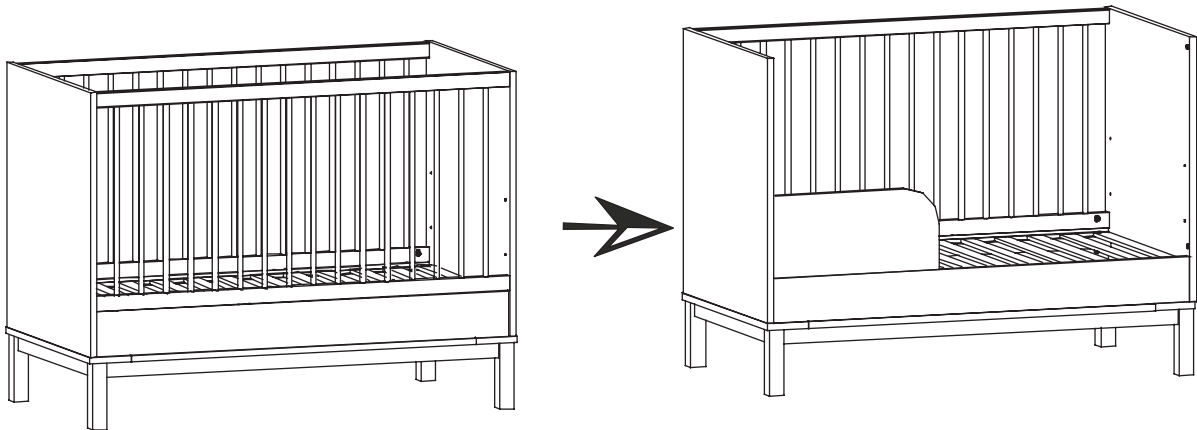


Astrid Mini Cot Bed

Instructions

Version: R1-0-1



**IMPORTANT
KEEP FOR FUTURE REFERENCE**





Safety Warnings

Thank you for choosing to be part of the Obaby family

Our Cot Bed confirms to BS EN 716-1:2017 and BS 8509:2008 + A1:2011. To ensure that your cot bed is used in accordance with these instructions, please read them fully.

Your child's safety may be affected if you do not follow these instructions.

WARNING: A child's safety is your responsibility.

WARNING: Assembly should be carried out by a competent adult only.

WARNING: Do not use more than one mattress in the cot bed.

WARNING: Do not place this child's bed near heat sources, windows and other furniture.

WARNING: Be aware of the risk of open fire and other sources of heat, such as electric bar fires, gas fires, etc in the near vicinity of the cot bed.

WARNING: Do not use this child's bed if any part is broken, torn or missing.

WARNING: Do not leave anything in the cot bed or place the cot bed close to another product, which could provide a foothold or present a danger of suffocation or strangulation, e.g. strings, blinds/curtain cords etc.

- This product is intended for use from birth up to 4 years old.
- Please be aware that the lowest base position is the safest and the base should always be used in that position as soon as the baby is old enough to sit unaided.
- The thickness of the mattress chosen should be such that the internal height (surface of the mattress to the upper edge of the cot frame) is at least 500mm when the base is set in the lowest position and a minimum of 200mm when the cot base is set in the highest position.
- We recommend you use the Obaby Mattress Size 120 x 60 cm for this cot bed. The mattress should be no more than 30mm shorter or narrower than the internal length or width of the cot bed.
- Regularly check that all fittings and components of the cot/bed are fully tightened and in working order.
- To prevent injury from falls, as soon as the child is able to climb out of the cot, it should be changed into the bed mode for use up until 4 years of age.
- The cot bed is designed to be dismantled for storage or transportation.
- Children are likely to play, bounce, jump and climb on beds, therefore the child's bed should not be placed next to other furniture or windows, and should be placed either tight to the wall or have a gap of 300mm between the wall and the side of the bed.
- All assembly fittings should be tightened properly and care should be taken to ensure that no screws are loose, as a child could trap parts of the body, or clothing (e.g. ribbons, drawstrings, necklaces) this could lead to strangulation.
- During assembly children should be kept away from the product due to possible risk of injury.
- Wood is a natural material, the colour will darken with age.
- Use only spare parts approved by the manufacturer.

Routine care & maintenance

For cleaning, use only a mild detergent and warm water.

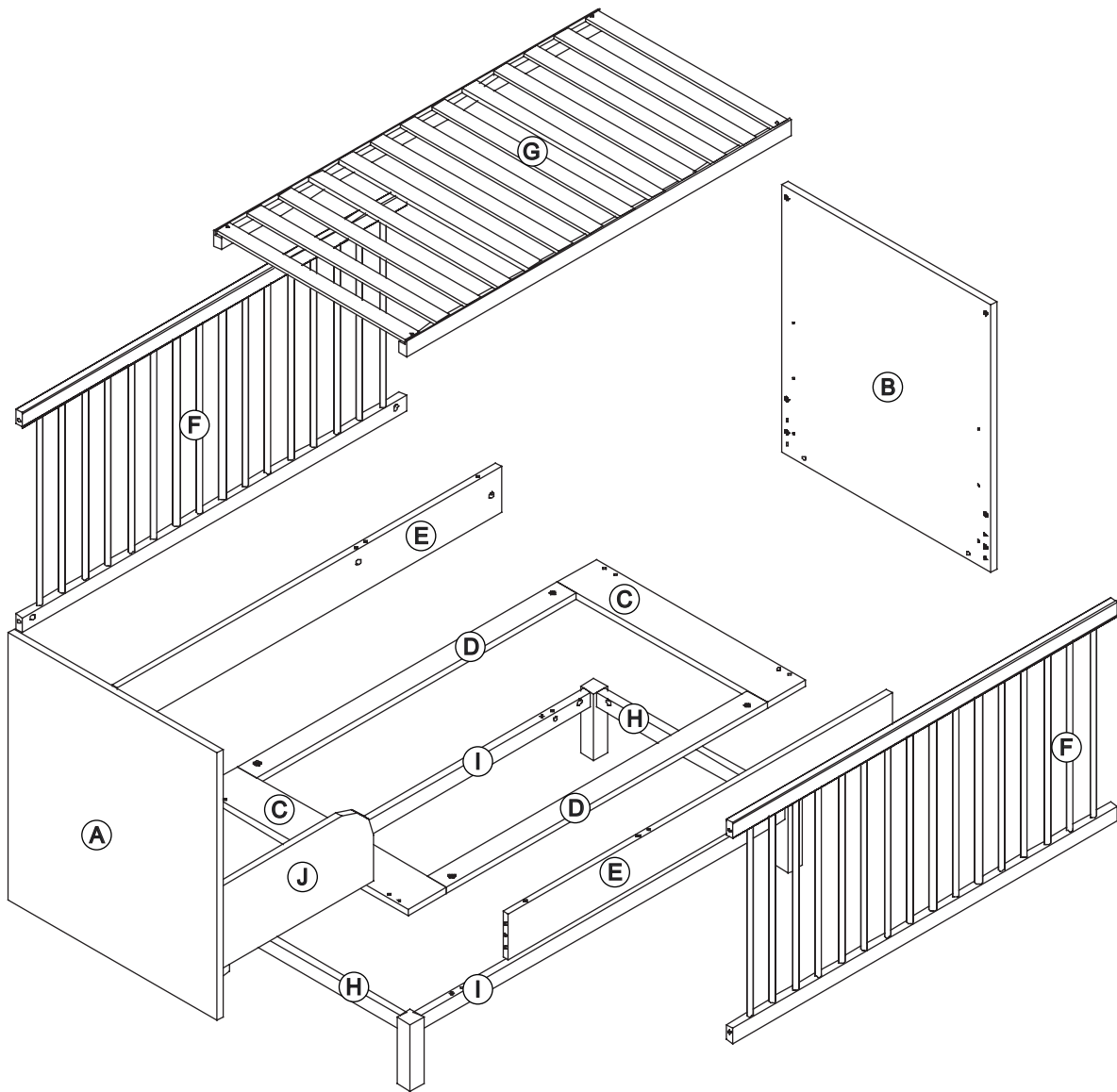
- ◇ DO NOT USE BLEACH
- ◇ DO NOT USE any abrasive substances.
- ◇ From time to time, check your cot for loose screws, and worn parts. Replace or adjust the parts as needed.

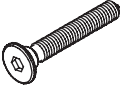

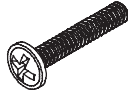
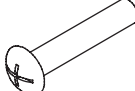
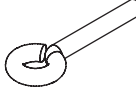
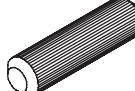
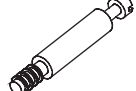

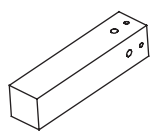
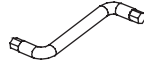
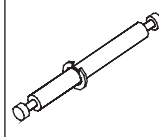

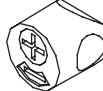
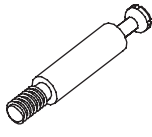
Due to constant updating and improvements, some components may occasionally differ slightly from the images shown in these instructions. We reserve the rights to change the specifications of any products without prior notice. If you need any assistance please contact your Obaby retailer from whom you purchased your product, who will take appropriate action.

*Don't forget to leave a review on our
TrustPilot Page x*



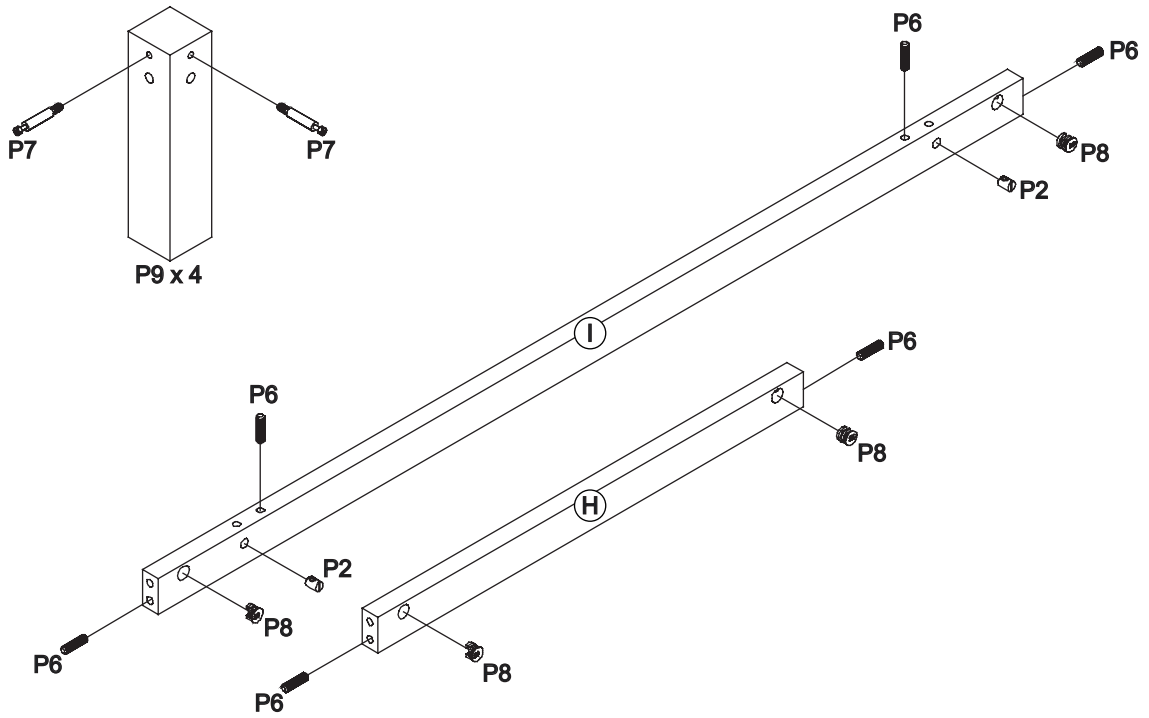
Parts List



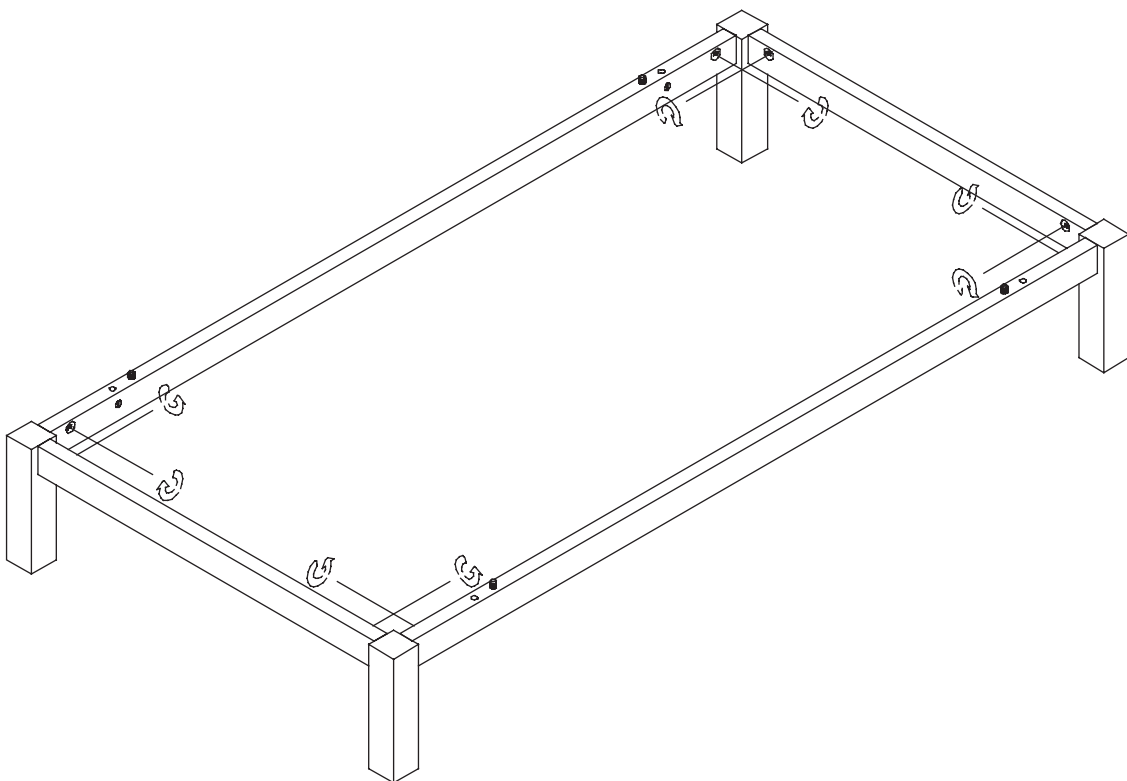
P1  40mm x8	P2  x8	P3  x4	P4  x4	P5  x4	P6  x35	P7  x8
P8  x12	P9  x4	P10  x1	P11  x1	P12  x12	P13  x12	P14  x2

You will require a cross head screw driver

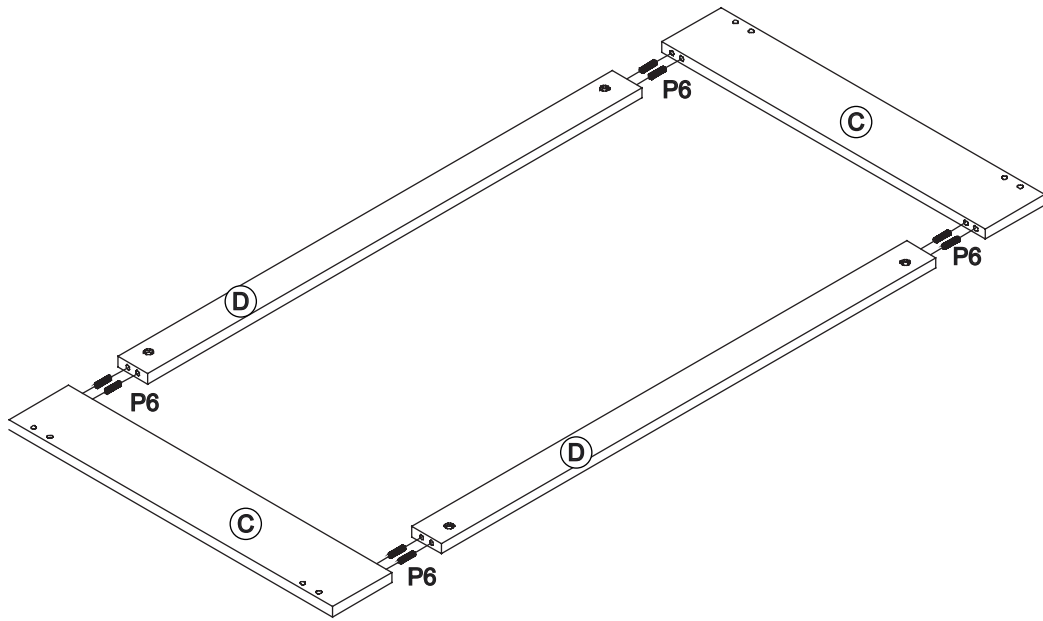
Stage 1



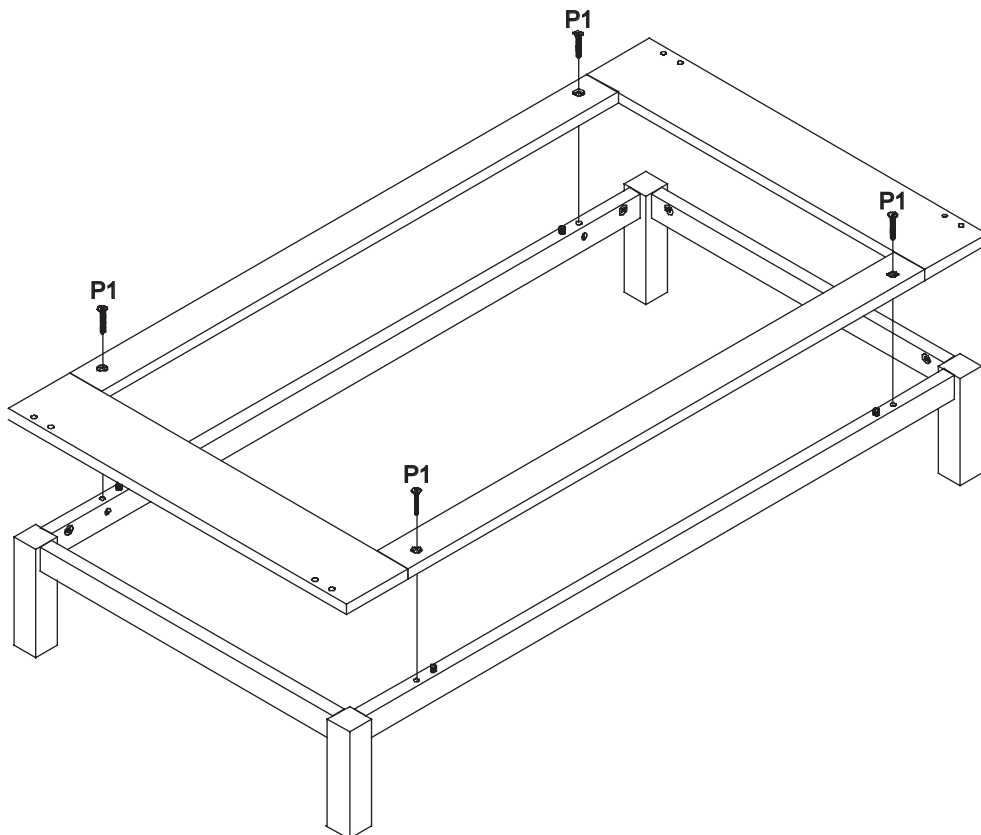
Stage 2



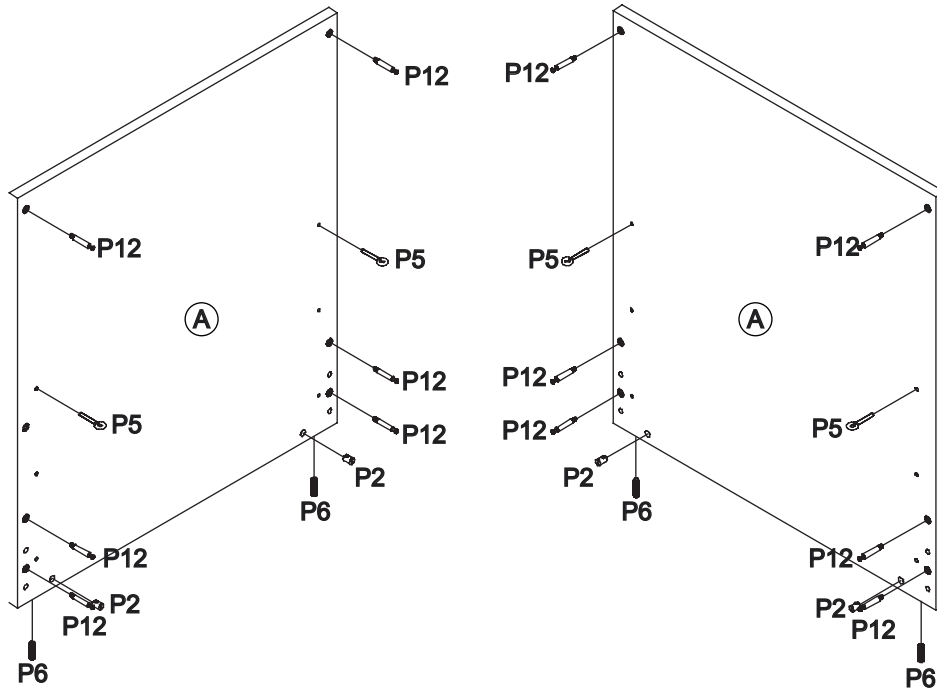
Stage 3



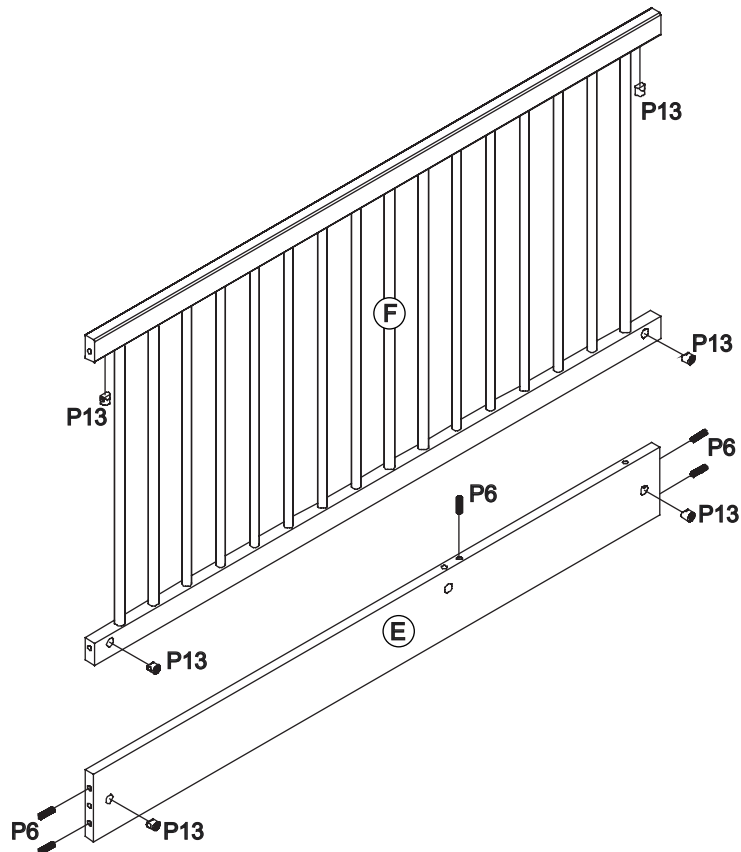
Stage 4



Stage 5



Stage 6

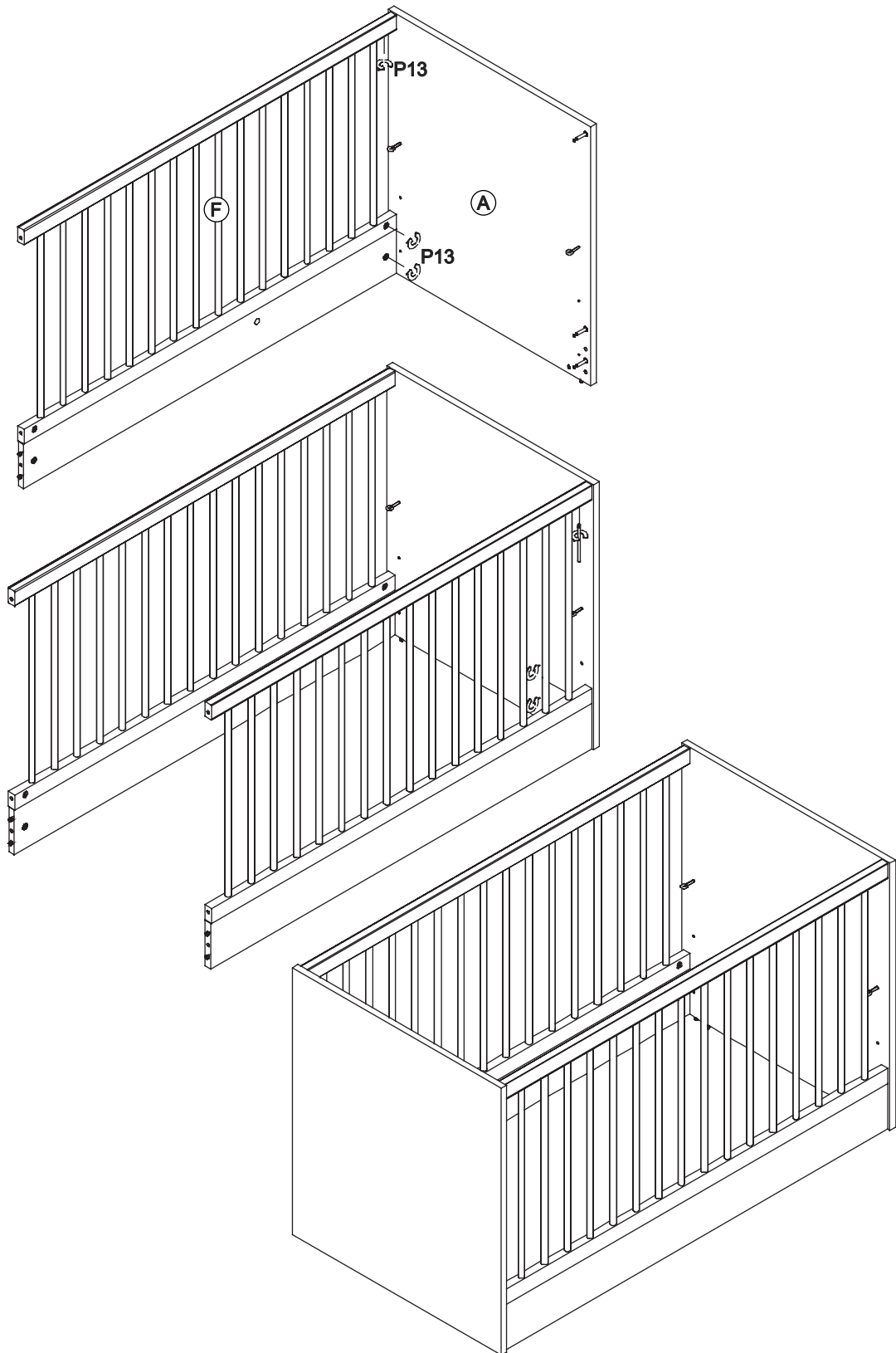




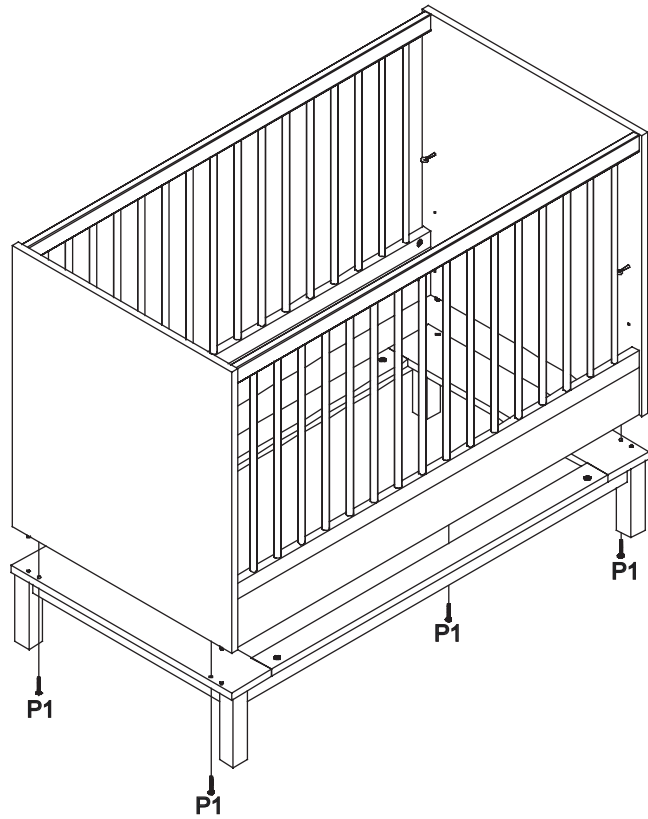
Assembly

Stage 7

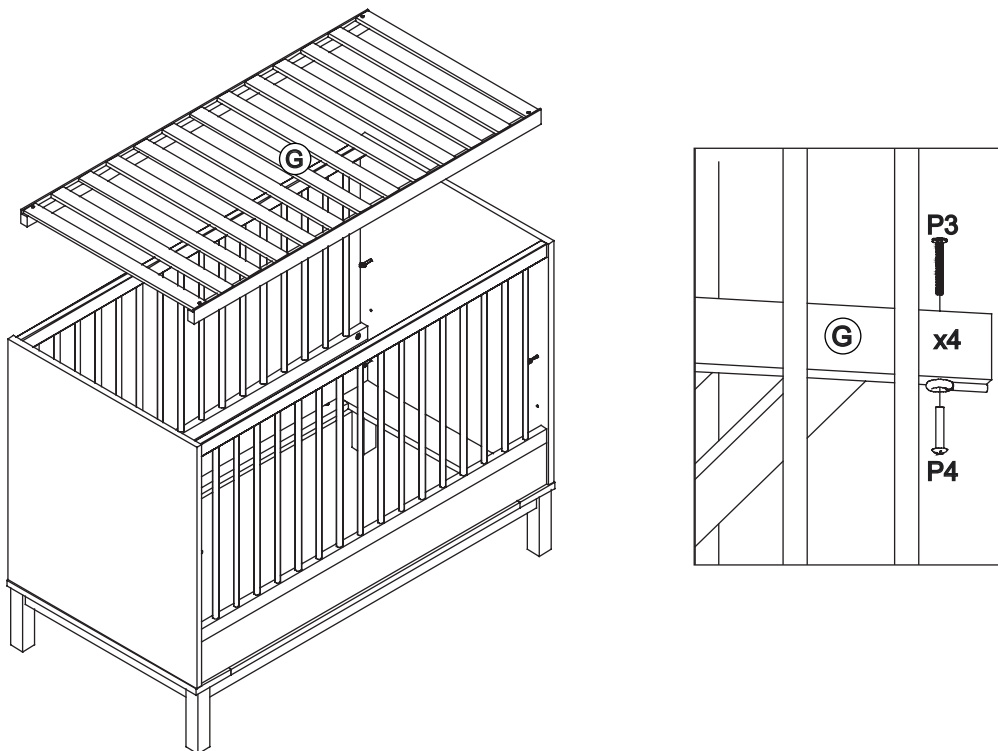
Use a cross head screw driver to tighten P13 fitting



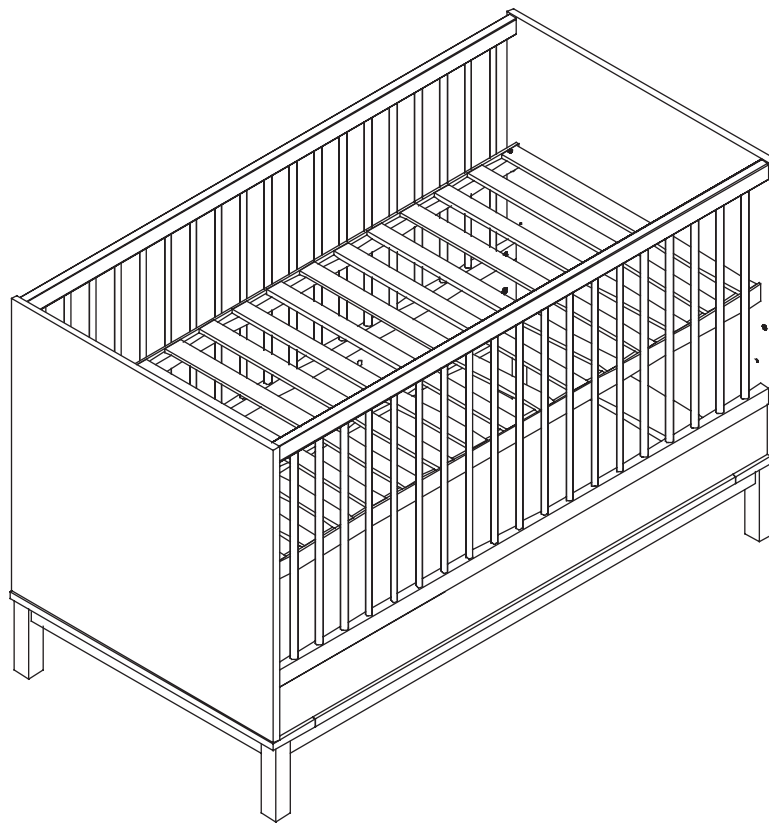
Stage 8



Stage 9

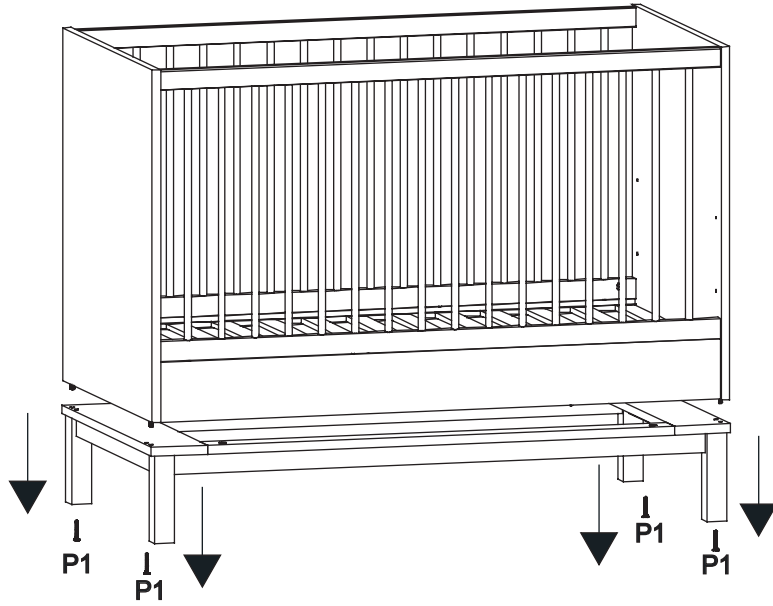


Stage 10

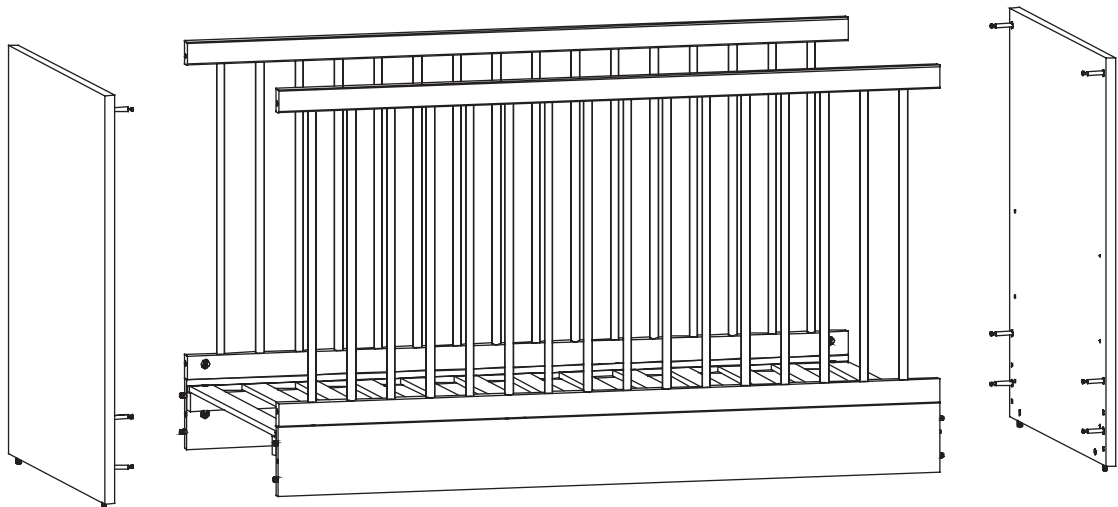




Stage 1



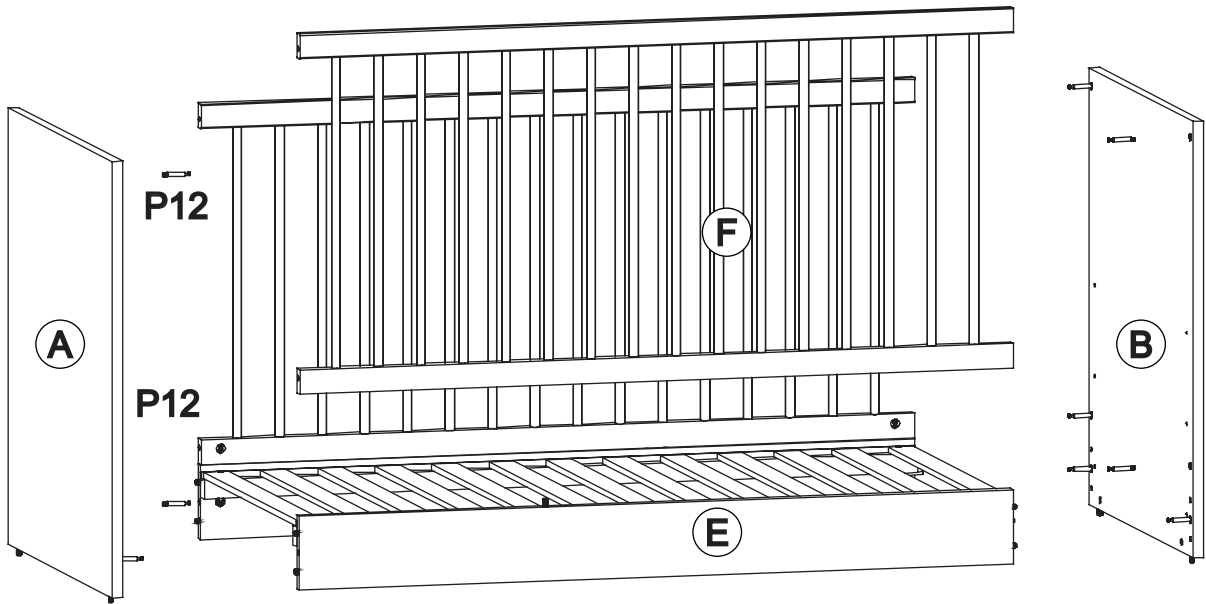
Stage 2



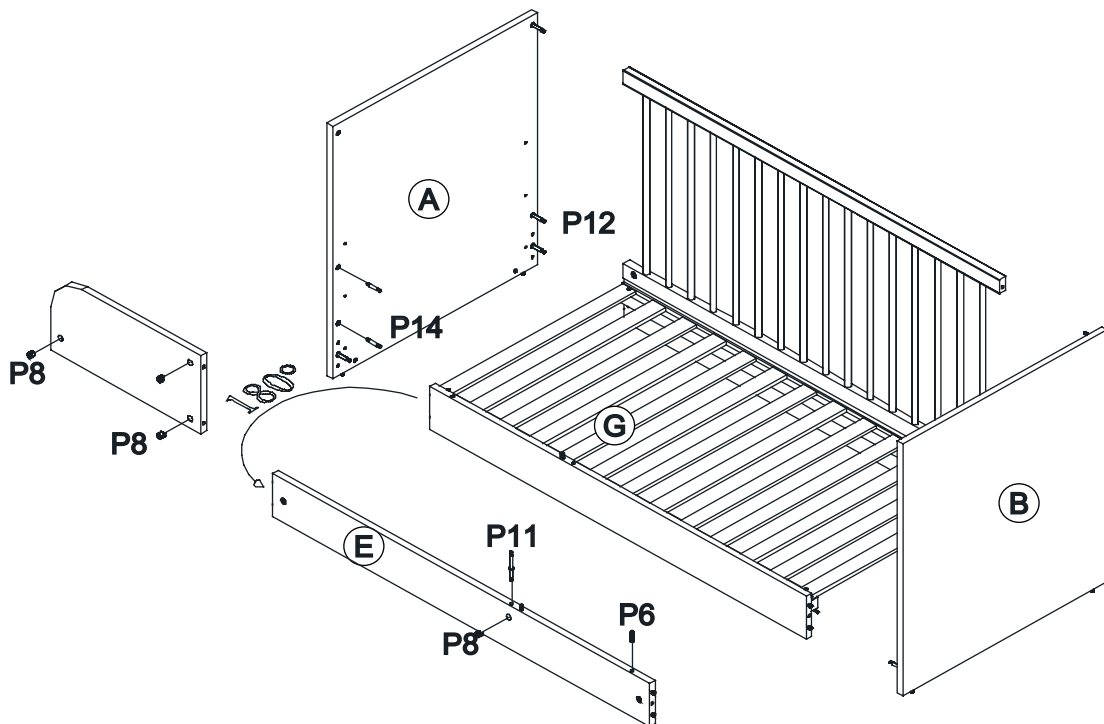


Converting into a Day Bed

Stage 3

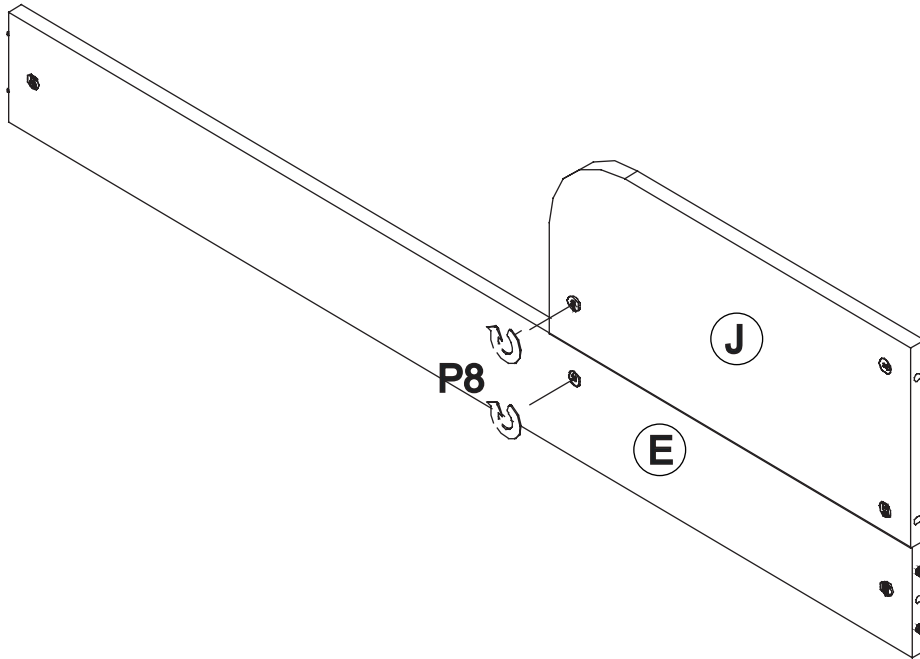


Stage 4

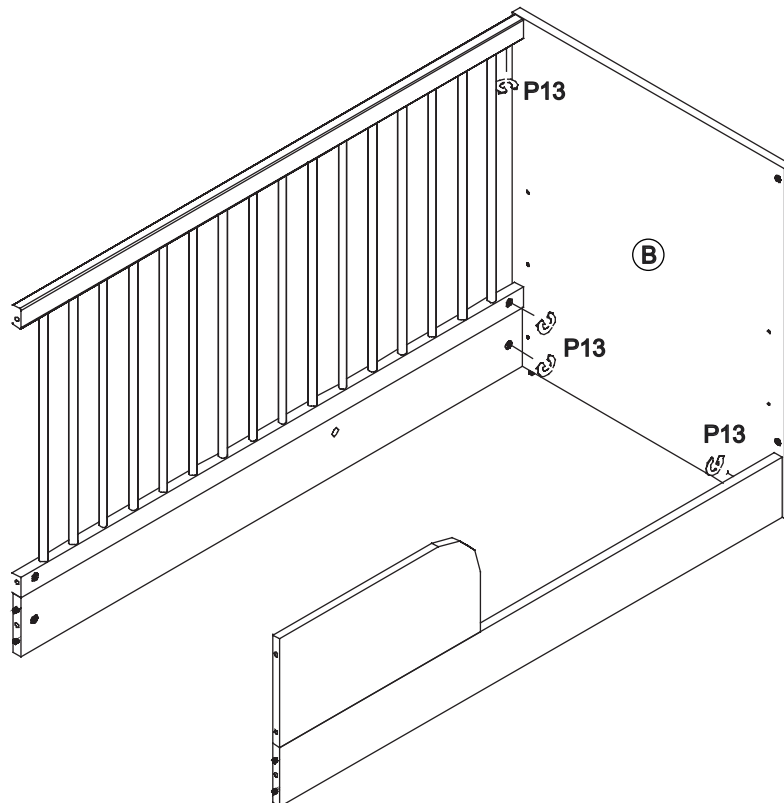


Stage 5

Tighted up P8 fittings with cross head screw driver



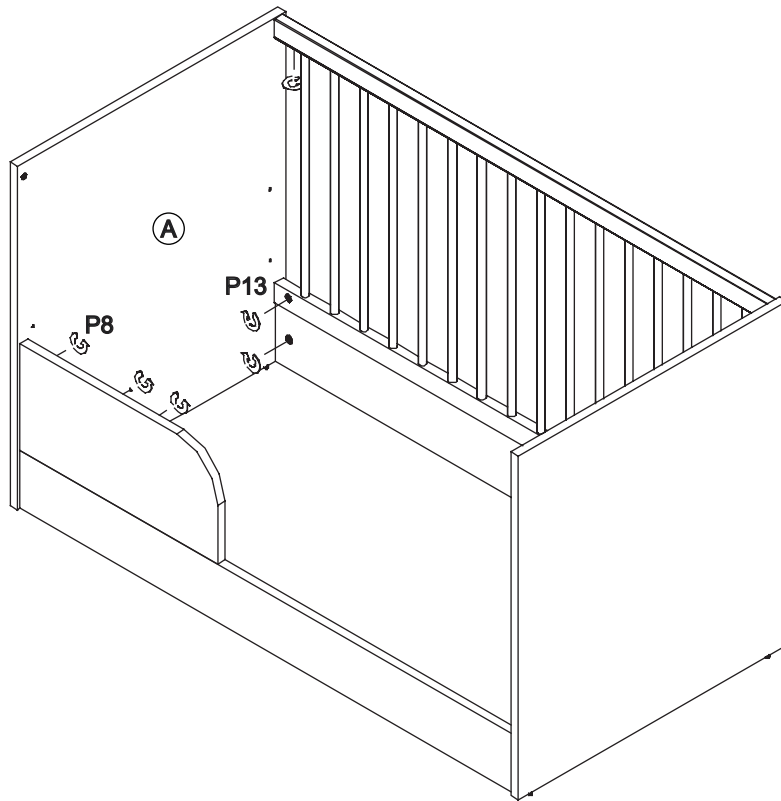
Stage 6



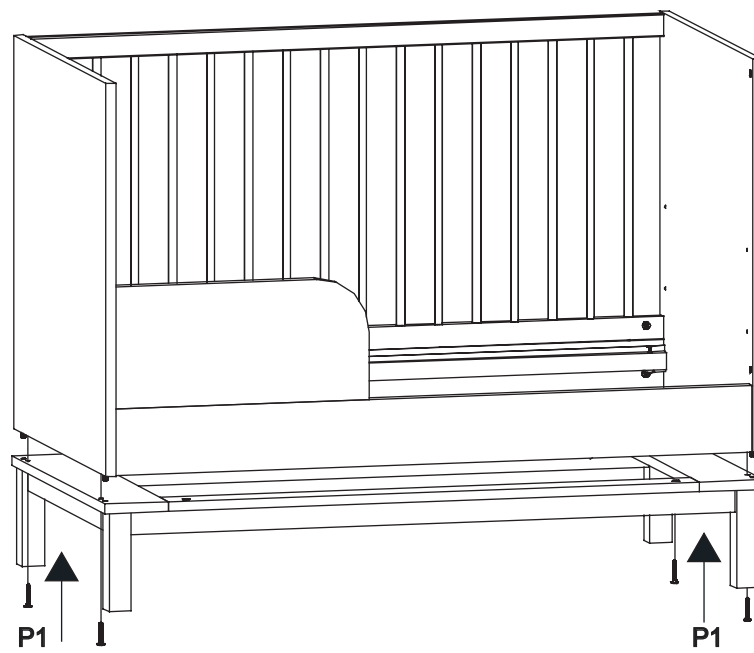


Converting into a Day Bed

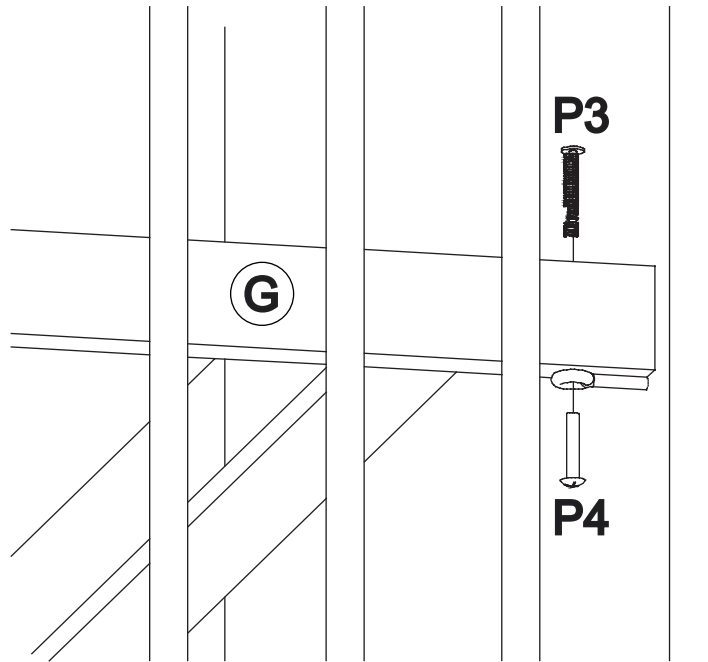
Stage 7



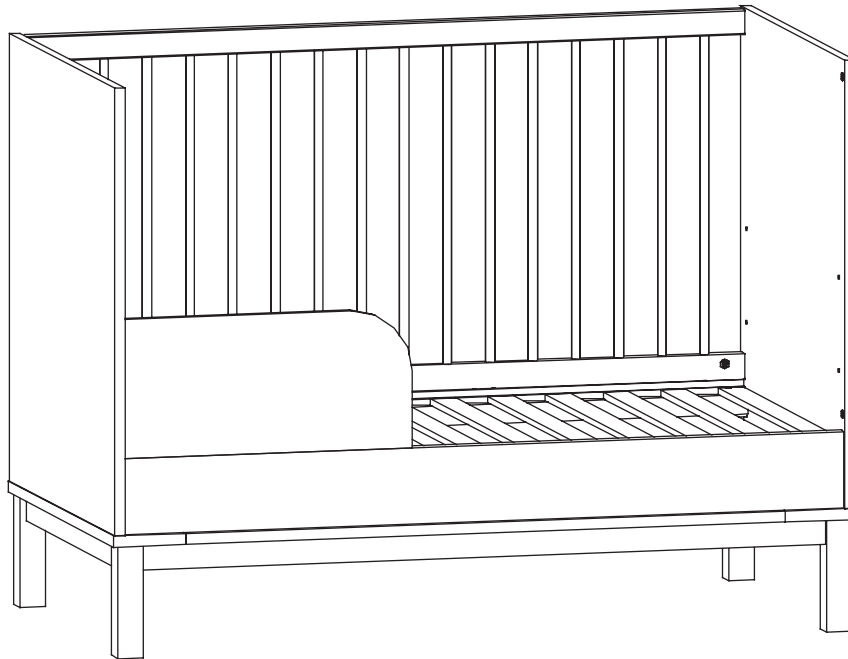
Stage 8



Stage 9



Stage 10





OBABY

obaby.co.uk



OfficialObaby



obabyuk



obabyuk



officialobaby

