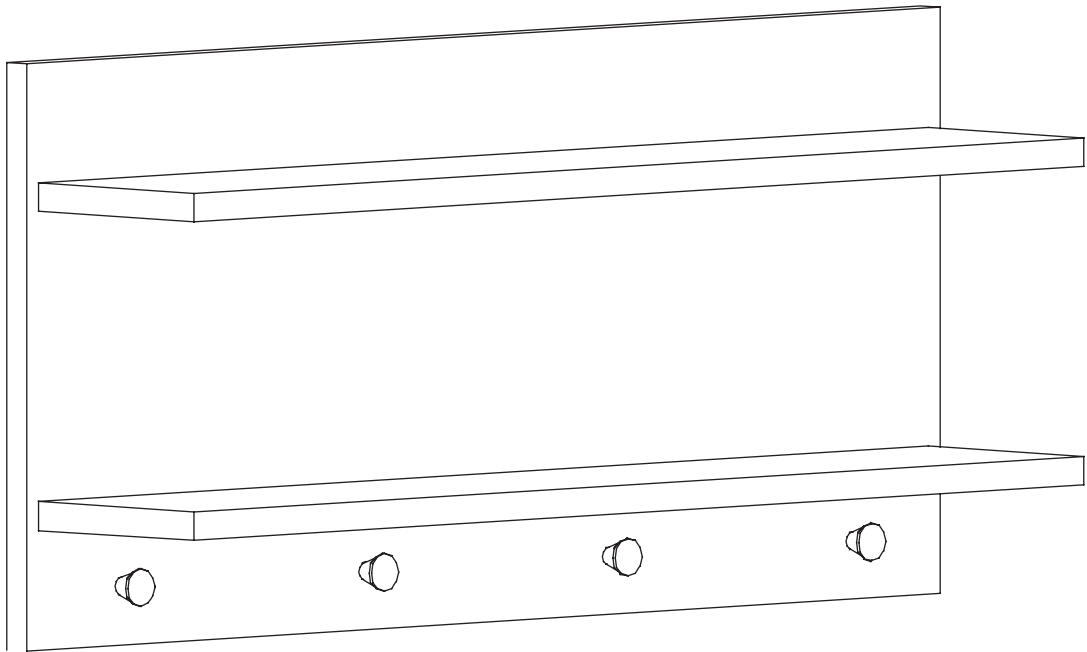


# Astrid Wall Shelf

Instructions

Version: R1-0-1



**IMPORTANT  
KEEP FOR FUTURE REFERENCE**



*Thank you for choosing to be part of the Obaby family*

This shelf conforms to BS EN 14749:2016. To ensure that your shelf is used in accordance with these instructions, please read them fully.

Your child's safety may be affected if you do not follow these instructions.

**WARNING:** Installation shall be carried out exactly according to the manufacturers instructions otherwise a safety risk can occur if incorrectly installed.

**WARNING:** Assembly should be carried out by a competent adult only.

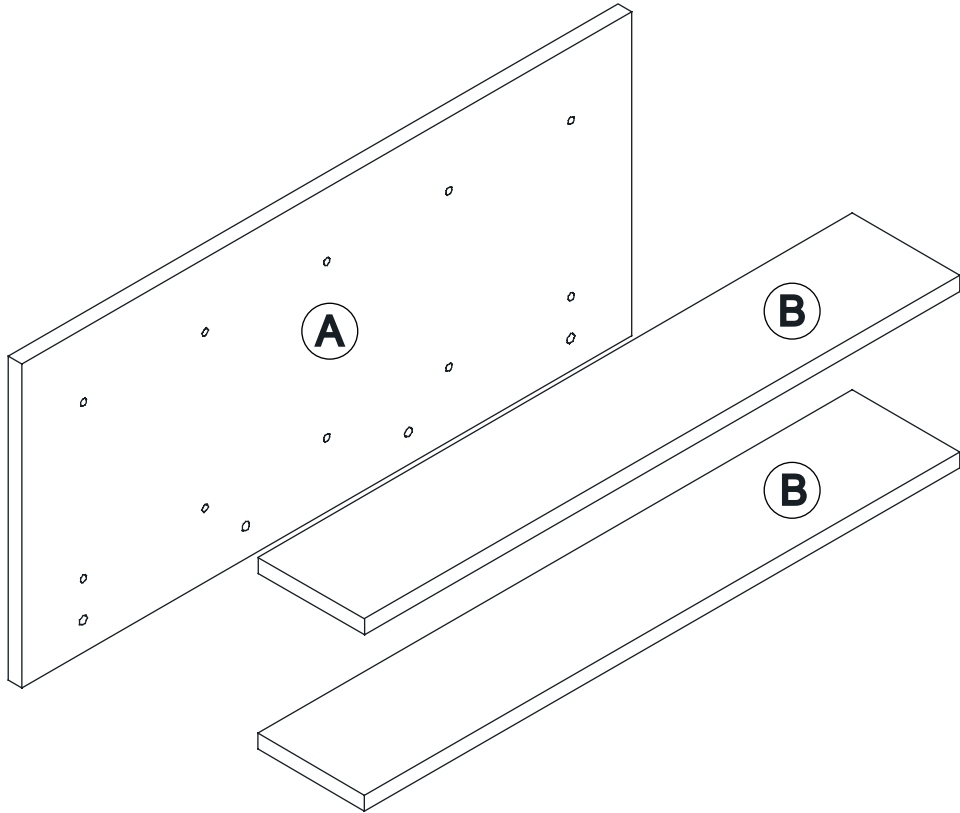
**WARNING:** Assess the suitability of the wall to ensure that the fastening devices will withstand the forces generated.

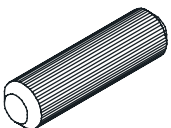


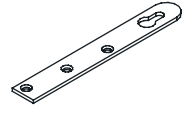
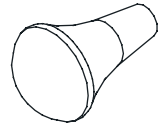
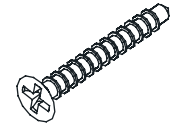
- Be aware of the risks of open fires and other sources of heat, such as electric bar fires, gas fires, etc. in the near vicinity of the wardrobe.
- Do not use the shelf if any part is broken or missing. Use only spare parts approved by the manufacturer.
- Regularly check that all the fittings and components of the shelf are fully tightened and in working order.
- Wood is a natural material, the colour will darken with age.
- During assembly children should be kept away from the product due to possible risk of injury.

#### **ROUTINE CARE & MAINTENANCE**

- ◇ For cleaning, use only a mild detergent and warm water.
- ◇ DO NOT USE BLEACH.
- ◇ DO NOT USE any abrasive substances.
- ◇ Take care when handling or moving furniture, careless handling can damage wooden furniture.

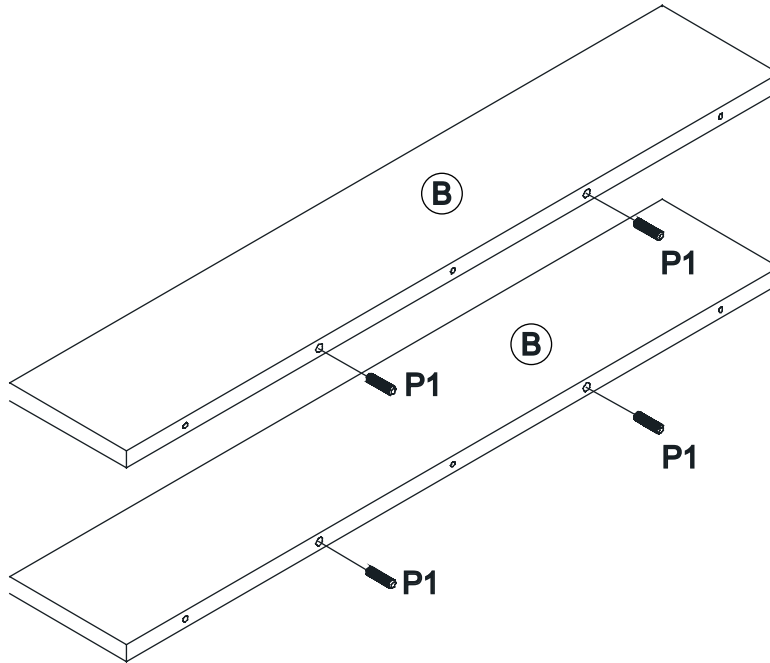
Due to constant updating and improvements, some components may occasionally differ slightly from the images shown in these instructions. We reserve the rights to change the specifications of any products without prior notice. If you need any assistance please contact your Obaby retailer from whom you purchased your product, who will take appropriate action.



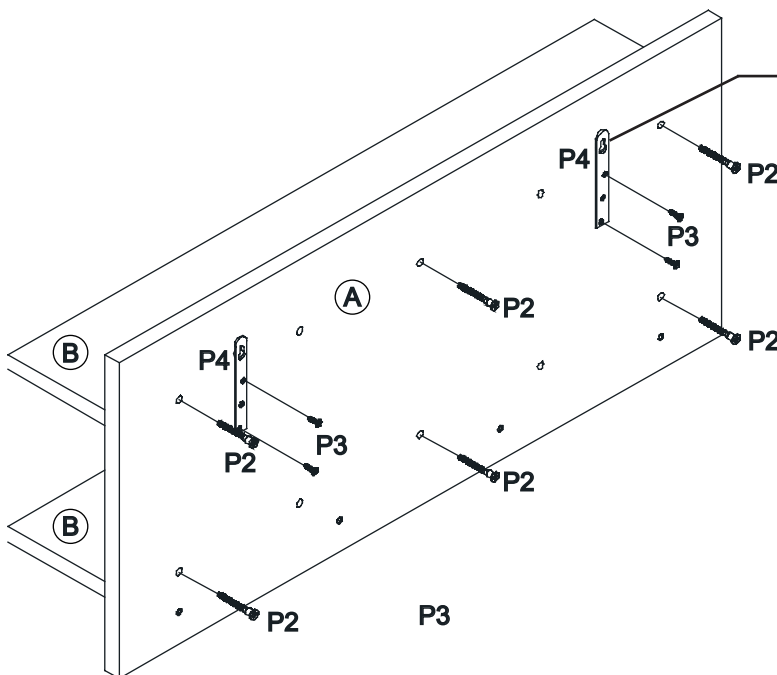
P1	P2	P3	P4	P5	P6
					
<b>x4</b>	<b>x6</b>	<b>x4</b>	<b>x2</b>	<b>x4</b>	<b>x4</b>



Stage 1



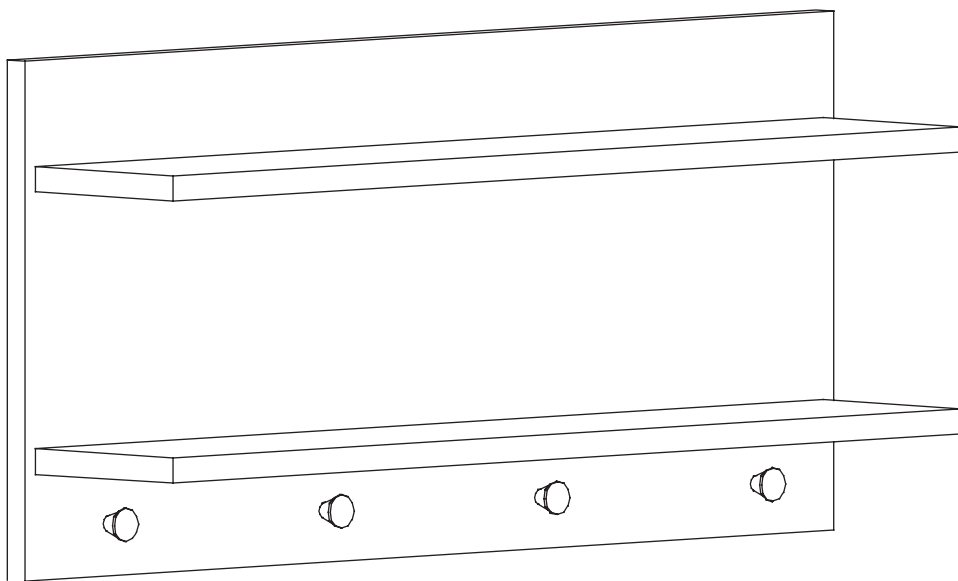
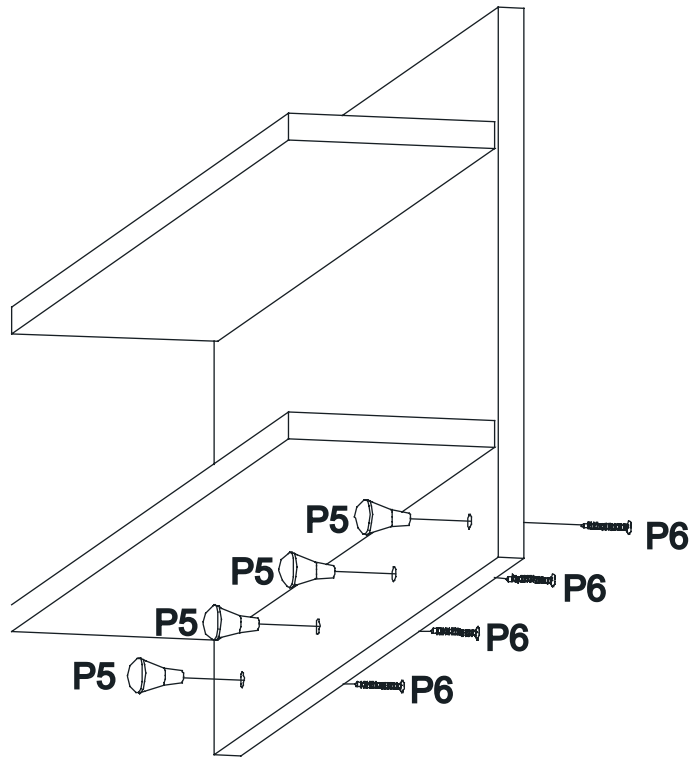
Stage 2



Attached shelf to your wall using P4 brackets.

All walls are different composition and the correct fittings should be used to match your walls. Wall fittings are not supplied with this furniture and it is advised to consult a professional before fitting.

Stage 3





# OBABY

[obaby.co.uk](http://obaby.co.uk)



OfficialObaby



obabyuk



obabyuk



officialobaby

